

Reliable isolation transformers from Tufvassons

Tufvassons has a wide range of transformers and over fifty years of experience manufacturing them. We provide isolation transformers of the highest quality for fixed installation, mounted on a DIN rail, as well as movable versions connected with a mains cable. Select your own products or have our staff guide you to the correct power supply.



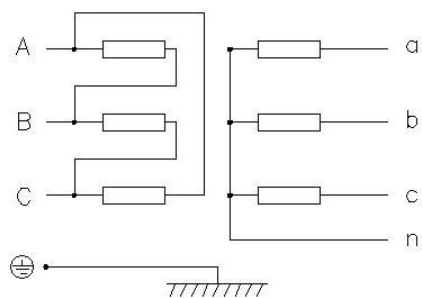
Three-phase transformers tailored to industry applications

Our encased three-phase transformers are designed for general use in industry and office environments. The primary and secondary windings are separated by a protective barrier, designed for galvanic separation or adaptation of circuits. The transformers are reliable, easy to install and fully water-proofed for the best possible rust protection. IP rating is IP54, which means that the transformers are flexible in terms of placement in different environments – including outdoors .

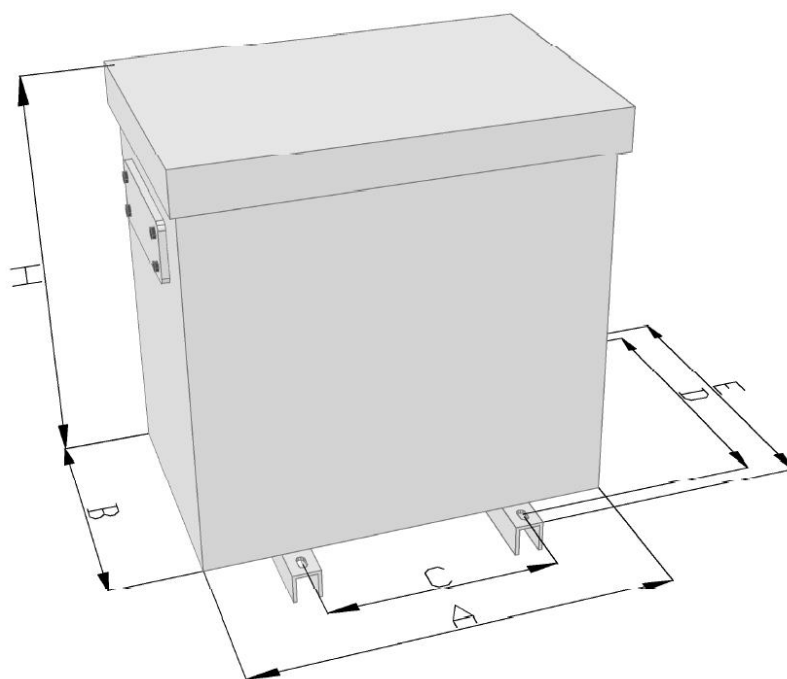
Type:	KGT400
Art.no	7557-0260
Input voltage:	400V
Output voltage:	400V
Frequency:	47 – 63 Hz
Rated power:	400kVA
Vector group	Dyn11
IP rating:	IP54
Short Circuit Voltage @ 115°C	4,3%
Inrush current Kx In	4,4
No-load Current	4,9%
Windings Losses @ 115°C	6596W
Core Losses	1779W
Insulation class :	H
Ambient temperature:	- 40°C – +40°C
Cooling:	AF
Ambient temperature:	max 40 °C
Cooling:	IP54 - FANS and IP54 - FILTERS
Design:	Transformer in zinc treated steel housing with easily accessible connections. FL21 flange openings on the short sides. Space for receiving customized hole. The transformer is vacuum impregnated for best corrosion protection. Primary terminal alu bushbars. Secondary terminal alu bushbars. Floor with 4 screws.
Mounting:	
Manufacturing standard:	LVD: EN 60 076-1 Emissions: EN 61 000-6-3, IEC 62041 Immunity: EN 61 000-6-2, IEC 62041
Miscellaneous:	If demanded by the installation regulations, the transformer must be connected by an all-pole switch in permanent installation



Wiring diagram



Dimension



Type	Load	Lenght	Width	Height	Vikt
	VA	A	E	H	kg
KGT 330	330kVA	1350	1200	1450	1225

